

Ordering information:

GD-PJS-2083A

(1) (2) (3) (4) (5) (6) (7)

(1):Series No

(2):Schematic option:I

(3):Material of housing:9T=PA9T

(4):Housing color:0A=Black

(5):Terminal plating:G=Gold Flash

(6):Special option:

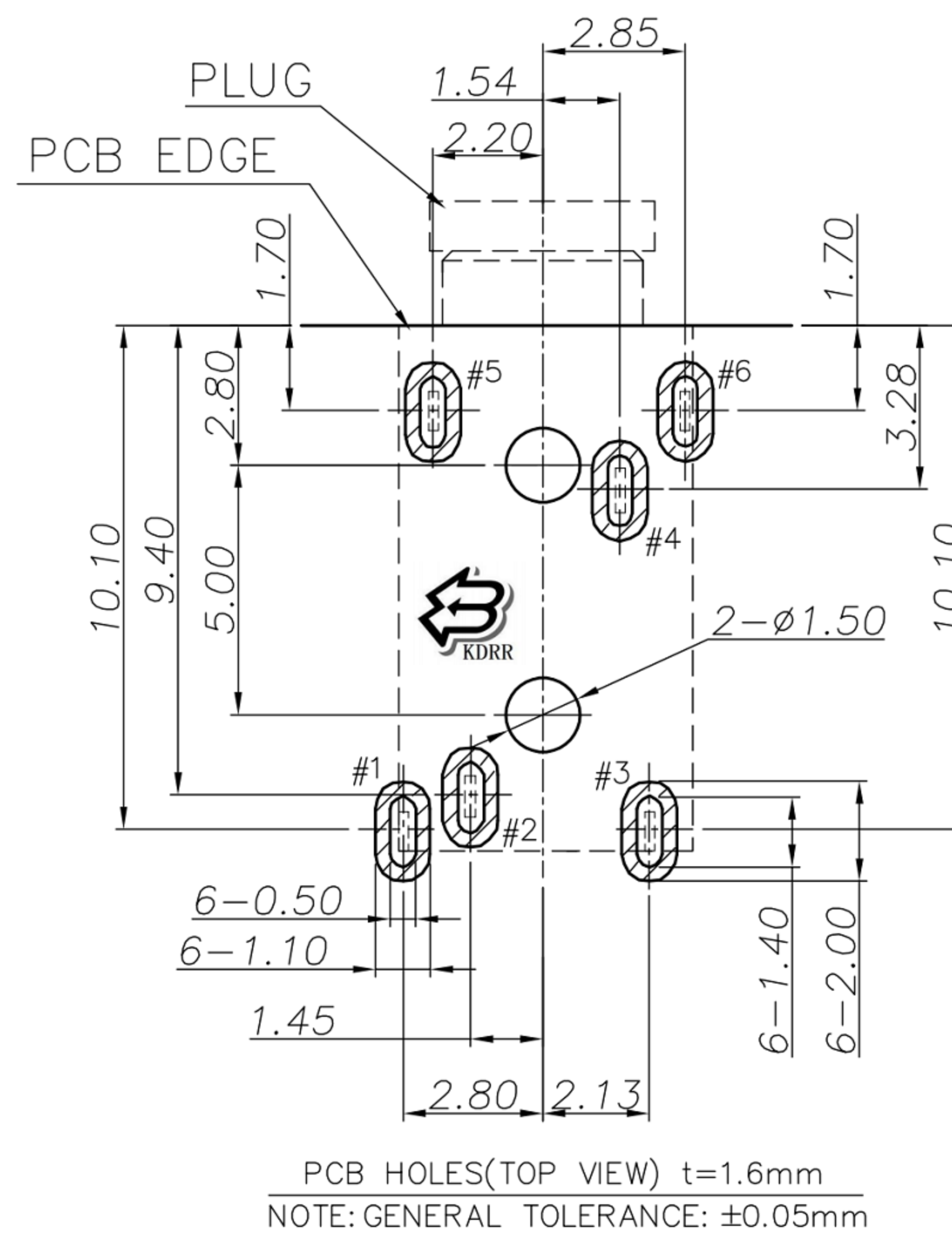
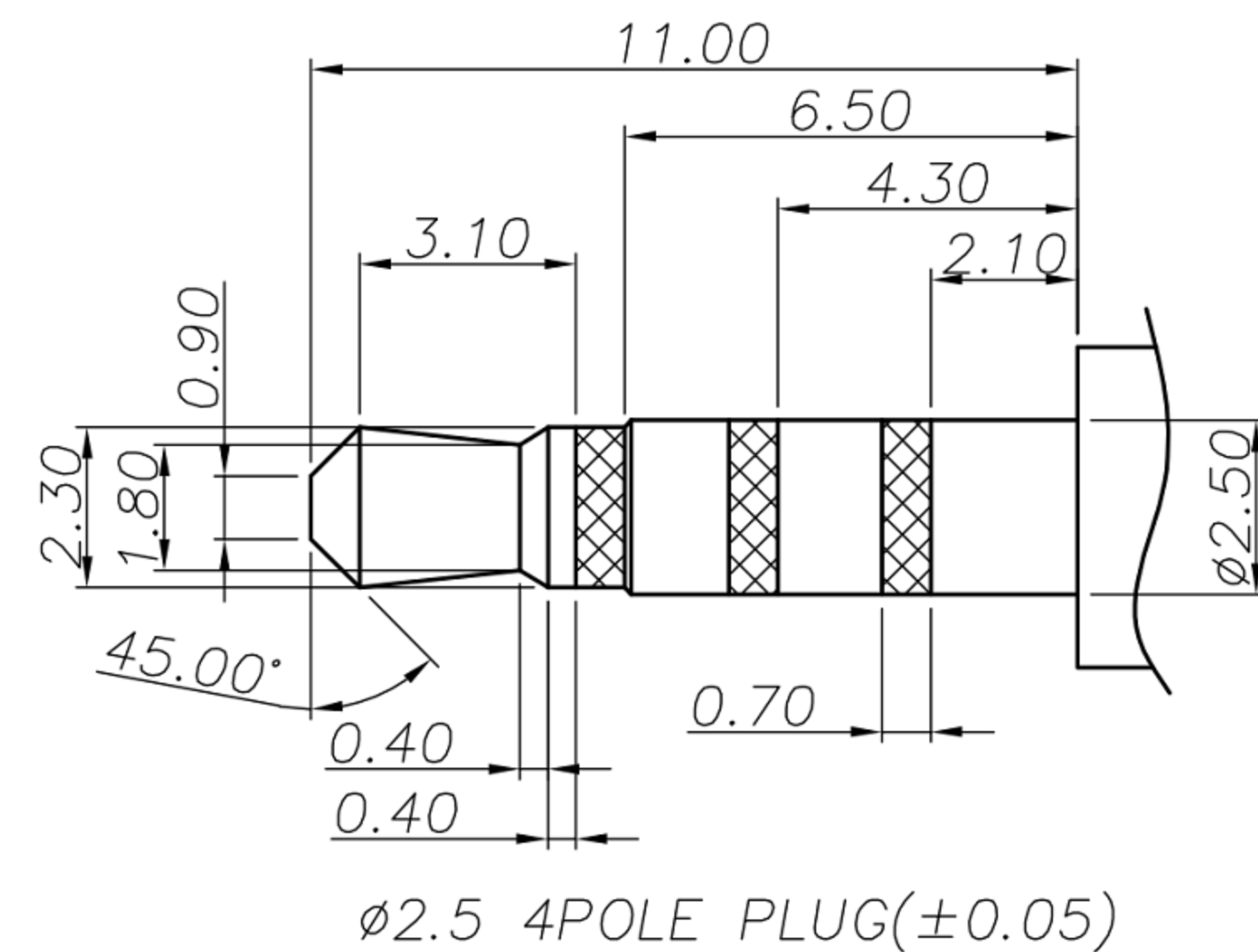
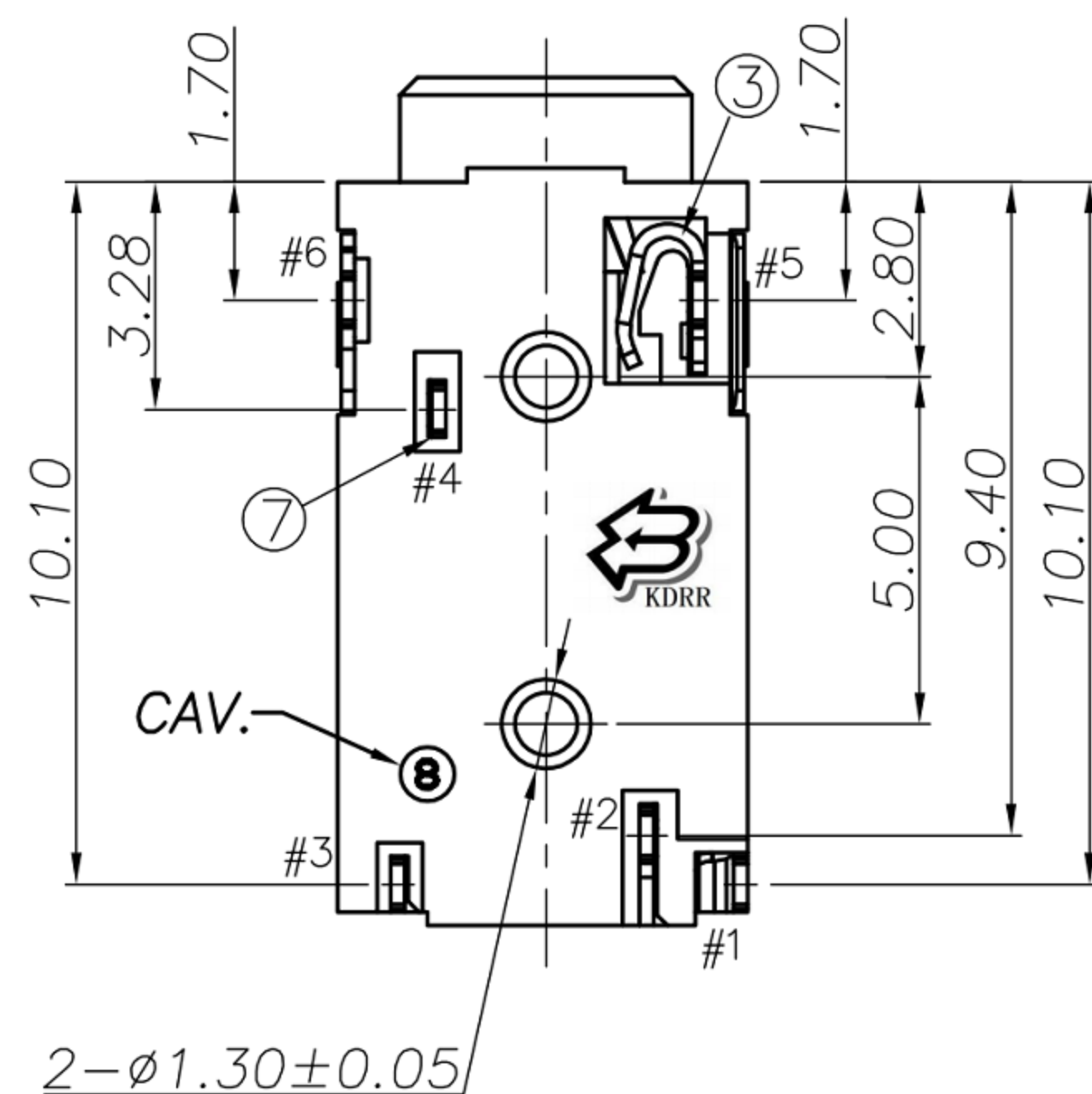
OH=Halogen Free

(7):Packing mode:

A=Tape/reel packing(Tape Wide Size=24mm).

B=Tape/reel packing(Tape W=32mm,P=12mm)

C=Tape/reel packing(Tape W=32mm,P=16mm)



Specification:

1. Rating : DC12V/1A;

2. Contact resistance: ≤30mΩ;

After test:≤50mΩ

3. Insulation resistance: ≥100MΩ (500VDC);

After test:≥50MΩ

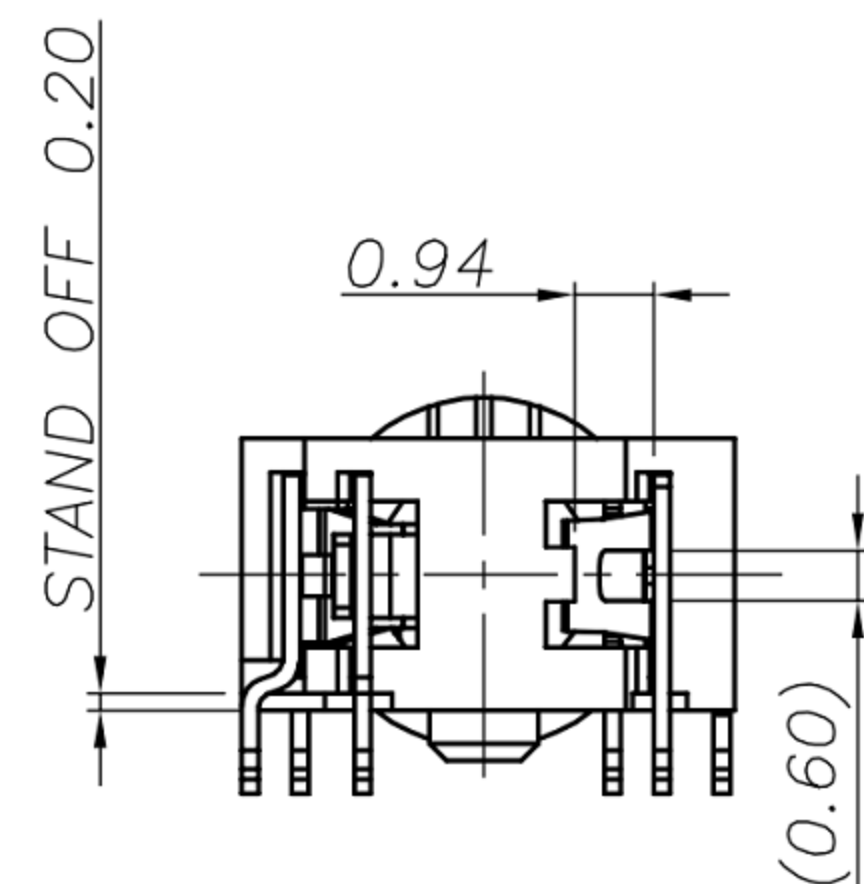
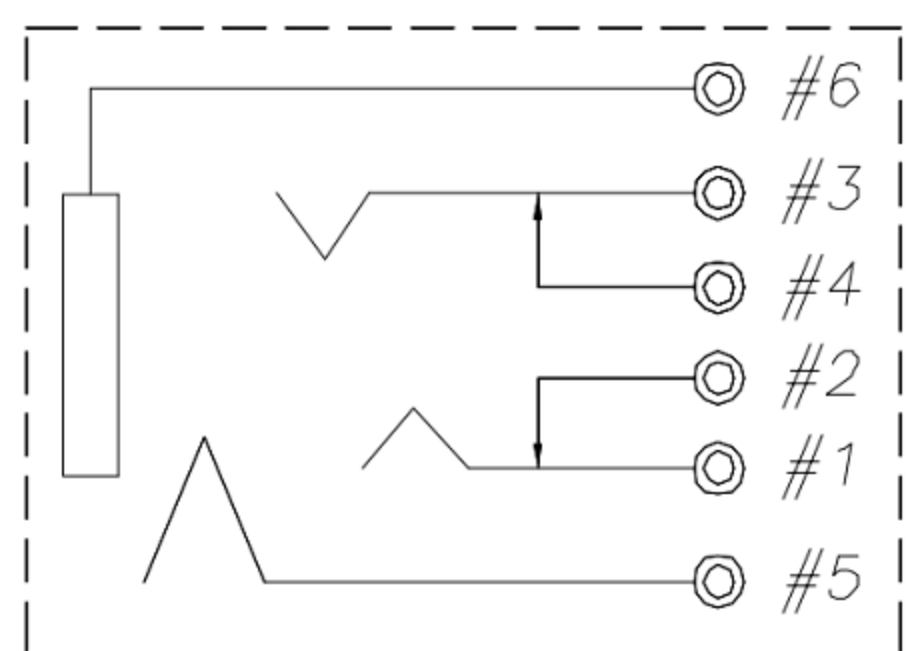
4. Withstand voltage: 500VAC ;

5. Insertion and extraction force: 3N~20N;

6. life test: 5000cycles min;

7. Operation temperature range:-20℃~70℃

8. Preservation temperature range:-40℃~85℃



NO	DESCRIPTION	QTY	MATERIAL	PLATING & COLOR
7	SHUNT-2 #4	1	Brass 0.2t	Ni:40u" Min,Au:1u" Min
6	SHUNT-1 #2	1	Brass 0.2t	Ni:40u" Min,Au:1u" Min
5	TIP #3	1	Phosphor Bronze 0.2t	Ni:40u" Min,Au:1u" Min
4	RING-B #1	1	Phosphor Bronze 0.2t	Ni:40u" Min,Au:1u" Min
3	RING-A #5	1	Phosphor Bronze 0.2t	Ni:40u" Min,Au:1u" Min
2	EARTH #6	1	Phosphor Bronze 0.2t	Ni:40u" Min,Au:1u" Min
1	HOUSING	1	PA9T UL94V-0	Black

ITEM NO.	DESCRIPTION	DRAWN	DATE
5	新增PLUG標號	Jack	052819
4	更新圖面	Jack	052419
3	新增3d上方圖	Jack	101918
2	更新圖面	Jack	092818
1	新增尺寸	Jack	070717

东莞市高迪电子有限公司
 Dong Guan KDRR Electronic Switch Jack Co., Ltd.

TOLERANCE UNLESS OTHERWISE STATED:

Up to 5	±0.2
Above 5 ~ 15	±0.3
Above 15 ~ 30	±0.4
Above 30 ~ 50	±0.5
Angle	±0.3°

3RD. ANGEL'S UNITS MM

DRAWN BY:	DATE	MAT'L	TITLE	JACK
Ming Ming Zou	6/8/23			
CHECKED BY:	DATE	FINISH	MODLE	PHONE JACK
Ning Ning Su	6/8/23			
APPROVED BY:	DATE	SCALE	DWG NO.	GD-PJS-2083A
Jia Xiang	6/8/23			
SHEET NO.	1 of 1	PART NO.		
				SIZE A4
				VER R5